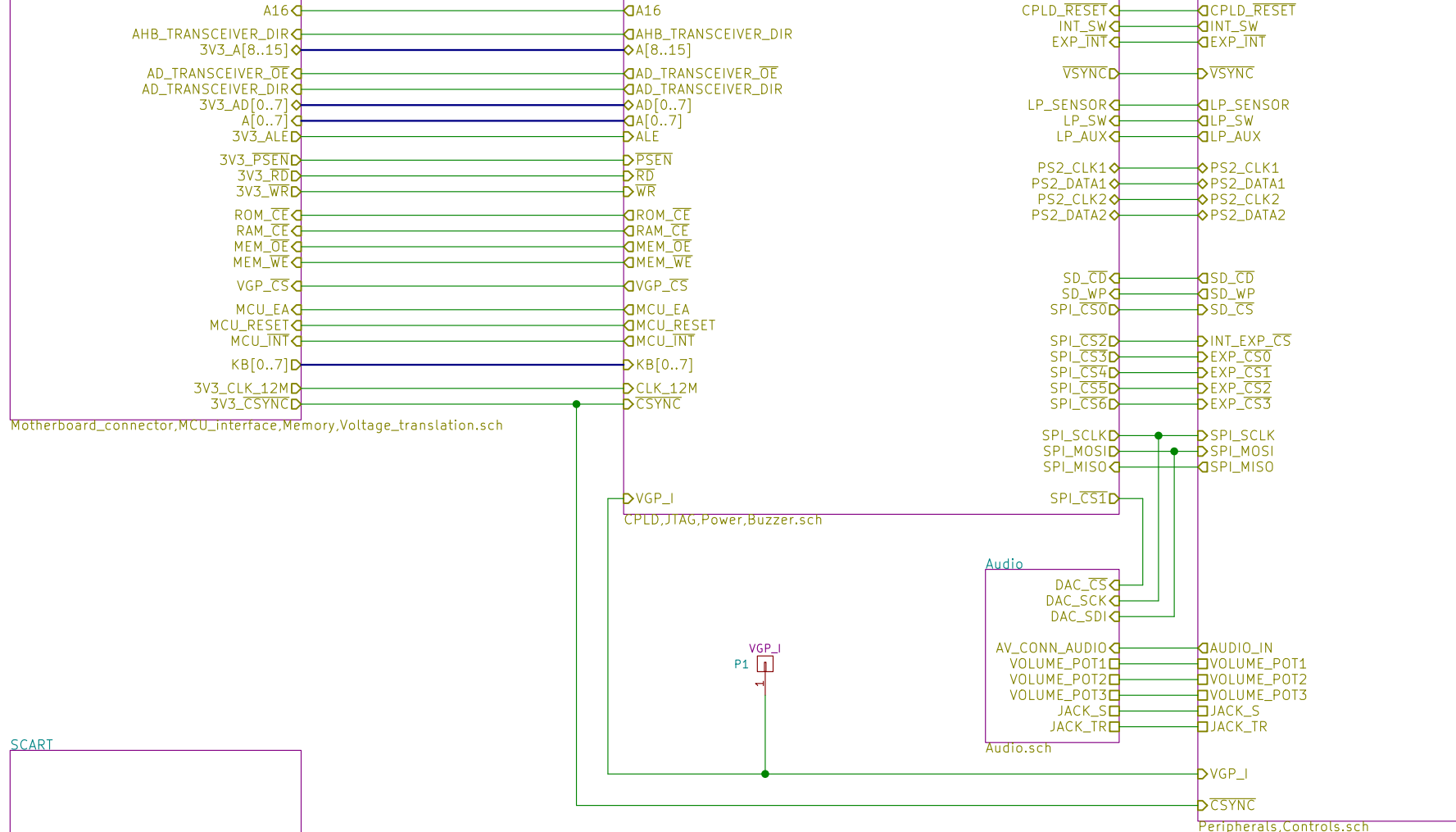


Motherboard_connector,MCU_interface,Memory,Voltage_translation

CPLD,JTAG,Power,Buzzer

Peripherals_Controls



Motherboard_connector,MCU_interface,Memory,Voltage_translation.sch

CPLD,JTAG,Power,Buzzer.sch

Peripherals_Controls.sch

Audio

Audio.sch

SCART

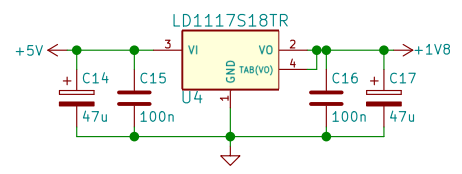
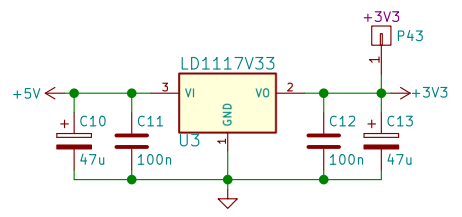
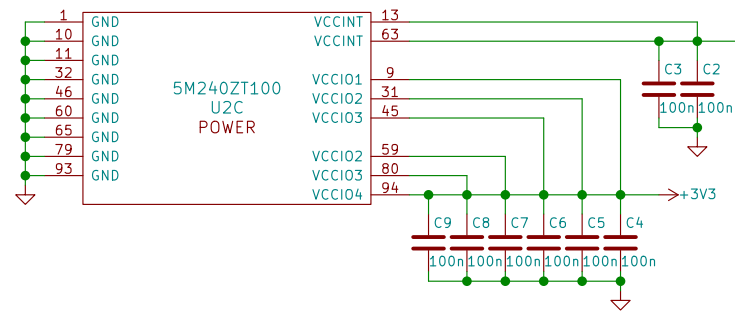
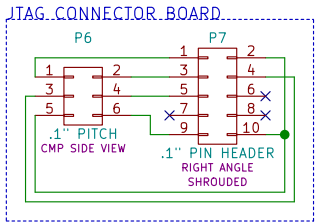
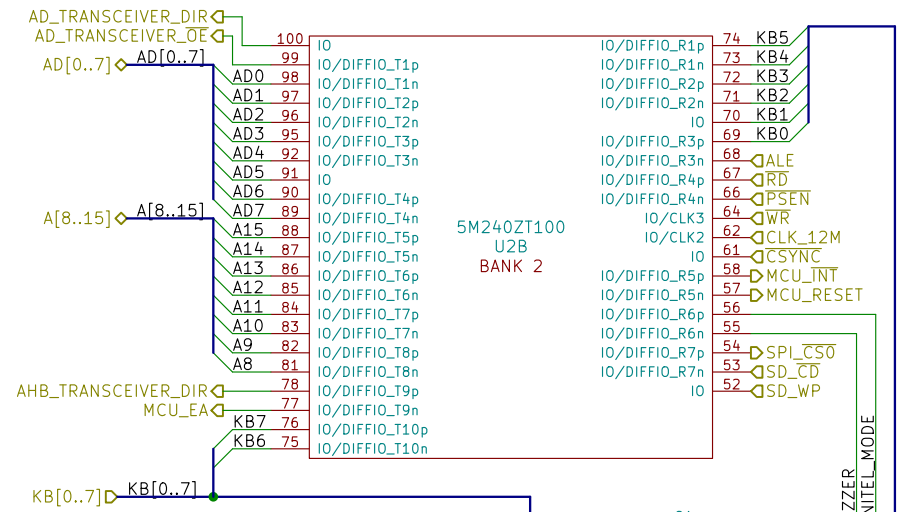
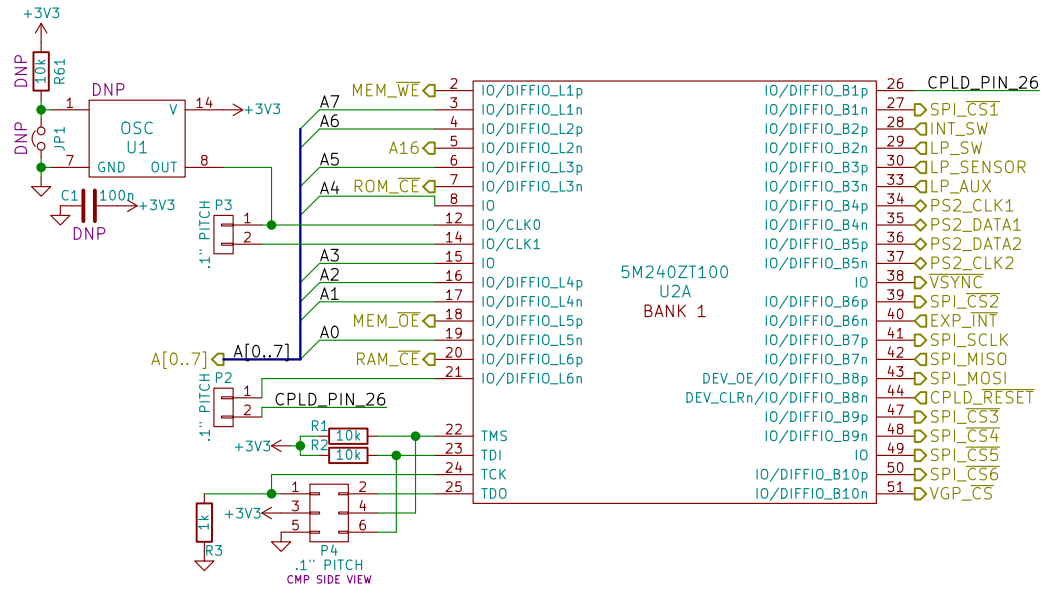
SCART.sch

All rights reserved.
<http://vtrm.net> <contact@vtrm.net>

Sheet: /
 File: M5.sch

Title: M5

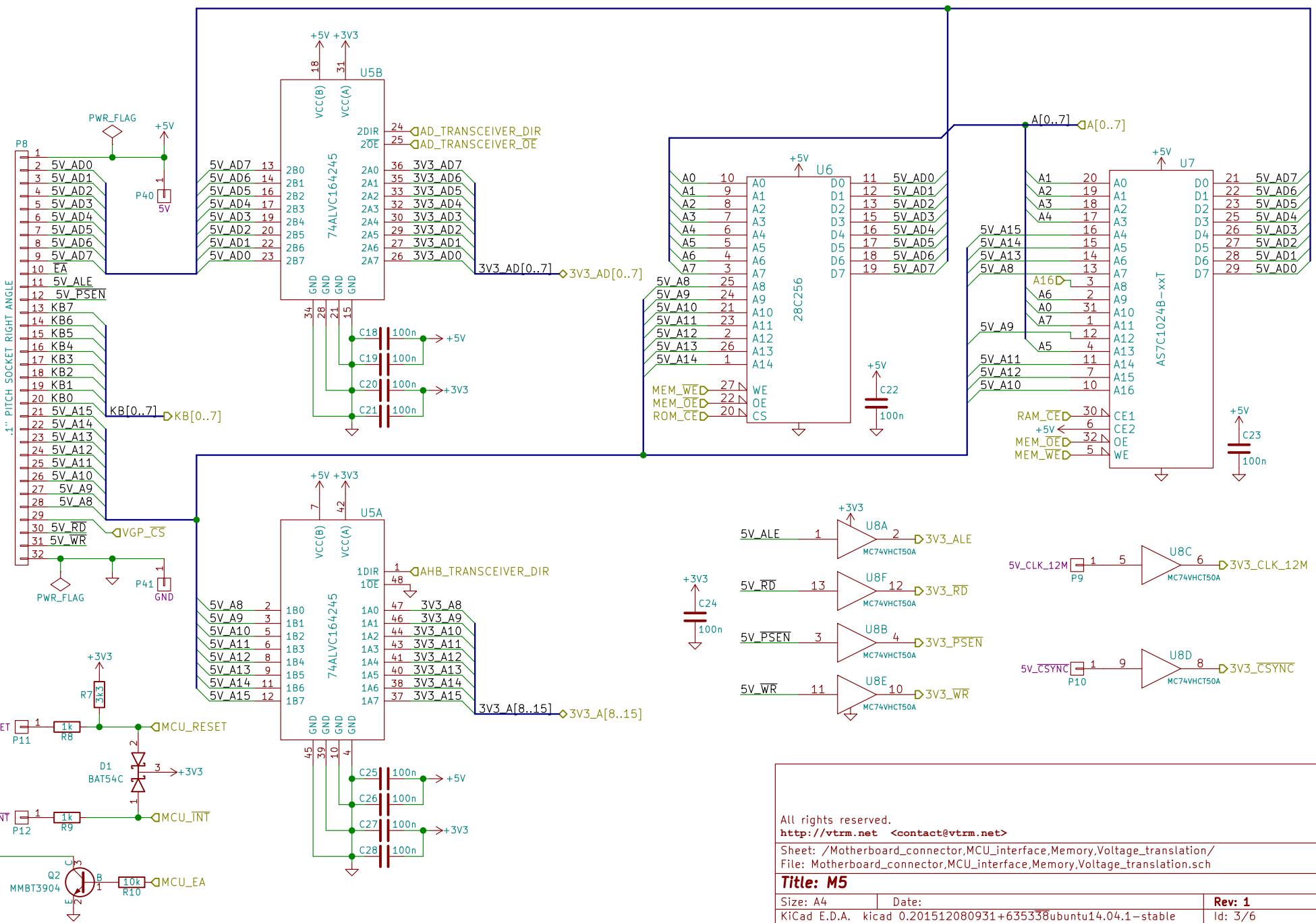
Size: A4	Date:	Rev: 1
KiCad E.D.A. kicad 0.201512080931+635338ubuntu14.04.1-stable		Id: 1/6



All rights reserved.
<http://vtrm.net> <contact@vtrm.net>

Sheet: /CPLD,JTAG,Power,Buzzer/
 File: CPLD,JTAG,Power,Buzzer.sch

Title: M5	
Size: A4	Date:
KiCad E.D.A. kicad 0.201512080931+635338ubuntu14.04.1-stable	Rev: 1
	Id: 2/6

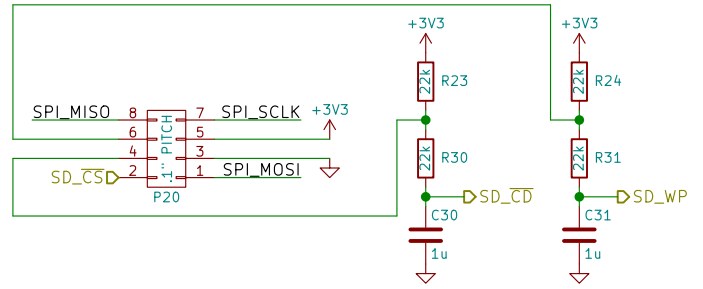
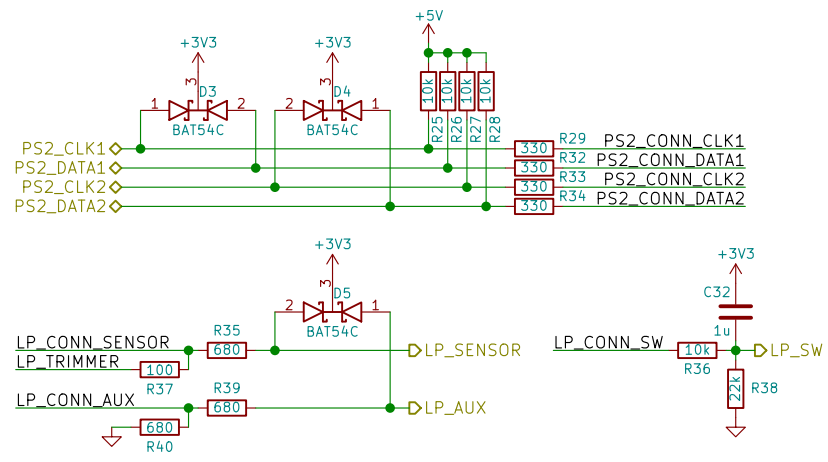
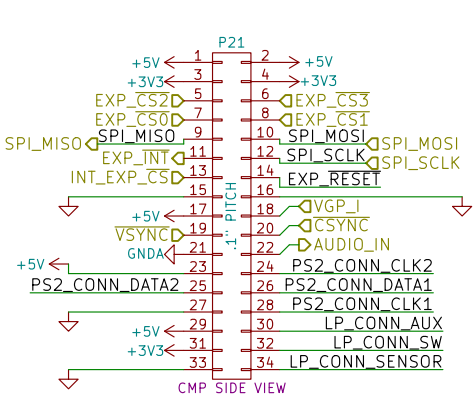


All rights reserved.
<http://vtrm.net> <contact@vtrm.net>

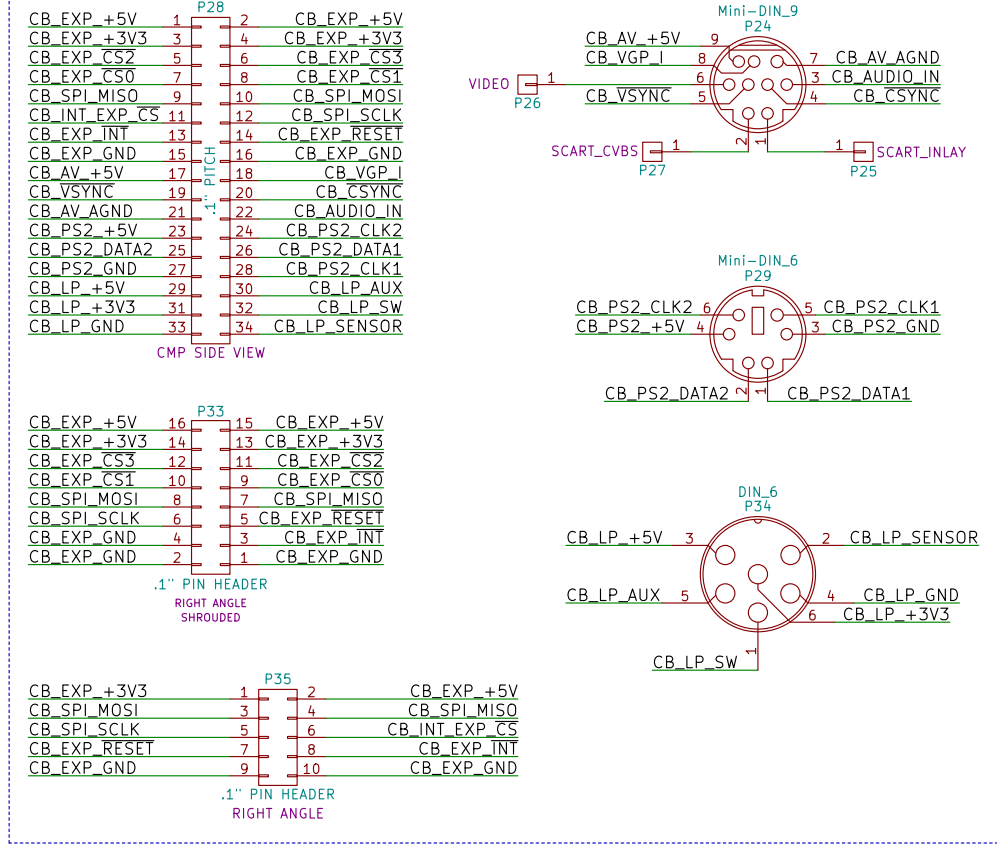
Sheet: /Motherboard_connector,MCU_interface,Memory,Voltage_translation/
 File: Motherboard_connector,MCU_interface,Memory,Voltage_translation.sch

Title: M5

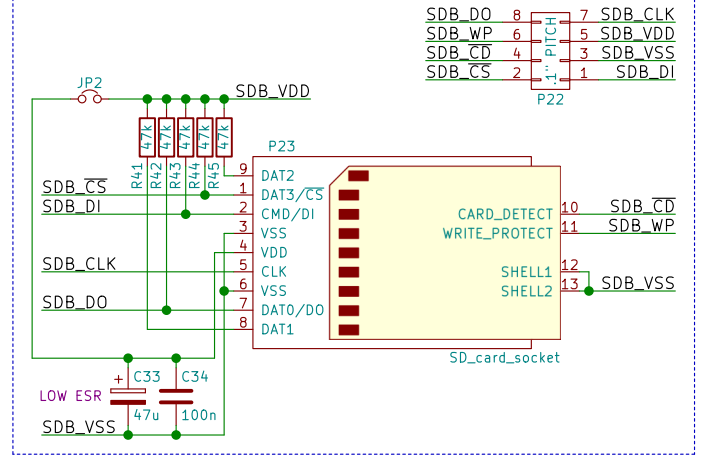
Size: A4	Date:	Rev: 1
KiCad E.D.A. kicad 0.201512080931+635338ubuntu14.04.1-stable		Id: 3/6



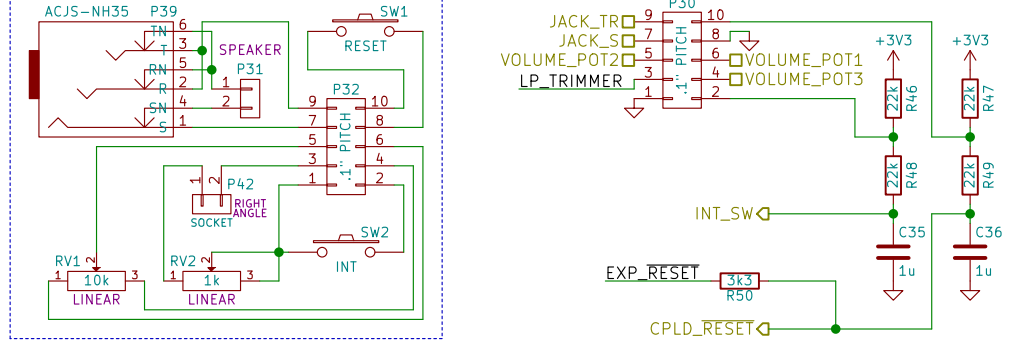
PERIPHERALS.CONNECTORS_BOARD



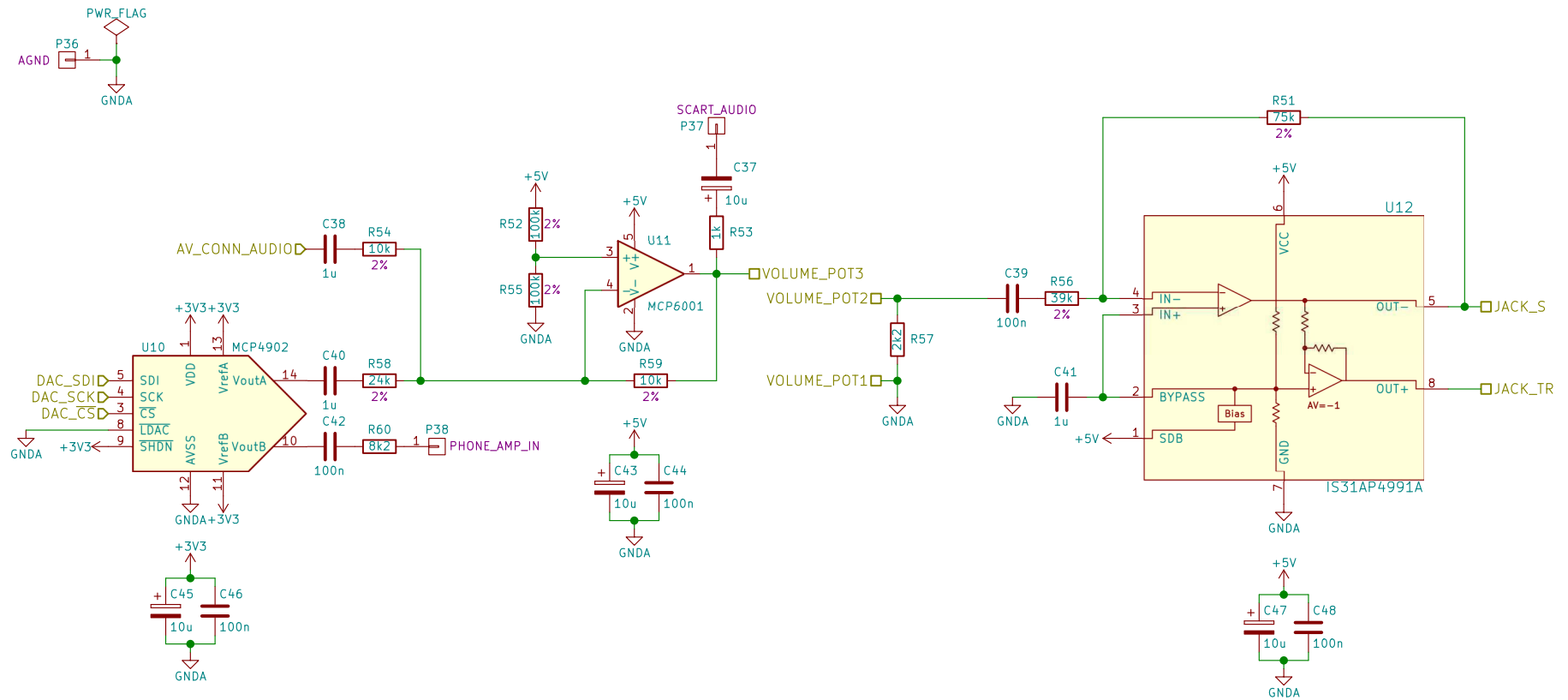
SD_CARD_SOCKET_BOARD



USER.CONTROLS_BOARD



All rights reserved.
<http://vtrm.net> <contact@vtrm.net>
 Sheet: /Peripherals,Controls/
 File: Peripherals,Controls.sch
Title: M5
 Size: A4 Date: Rev: 1
 KiCad E.D.A. kicad 0.201512080931+635338ubuntu14.04.1-stable Id: 5/6



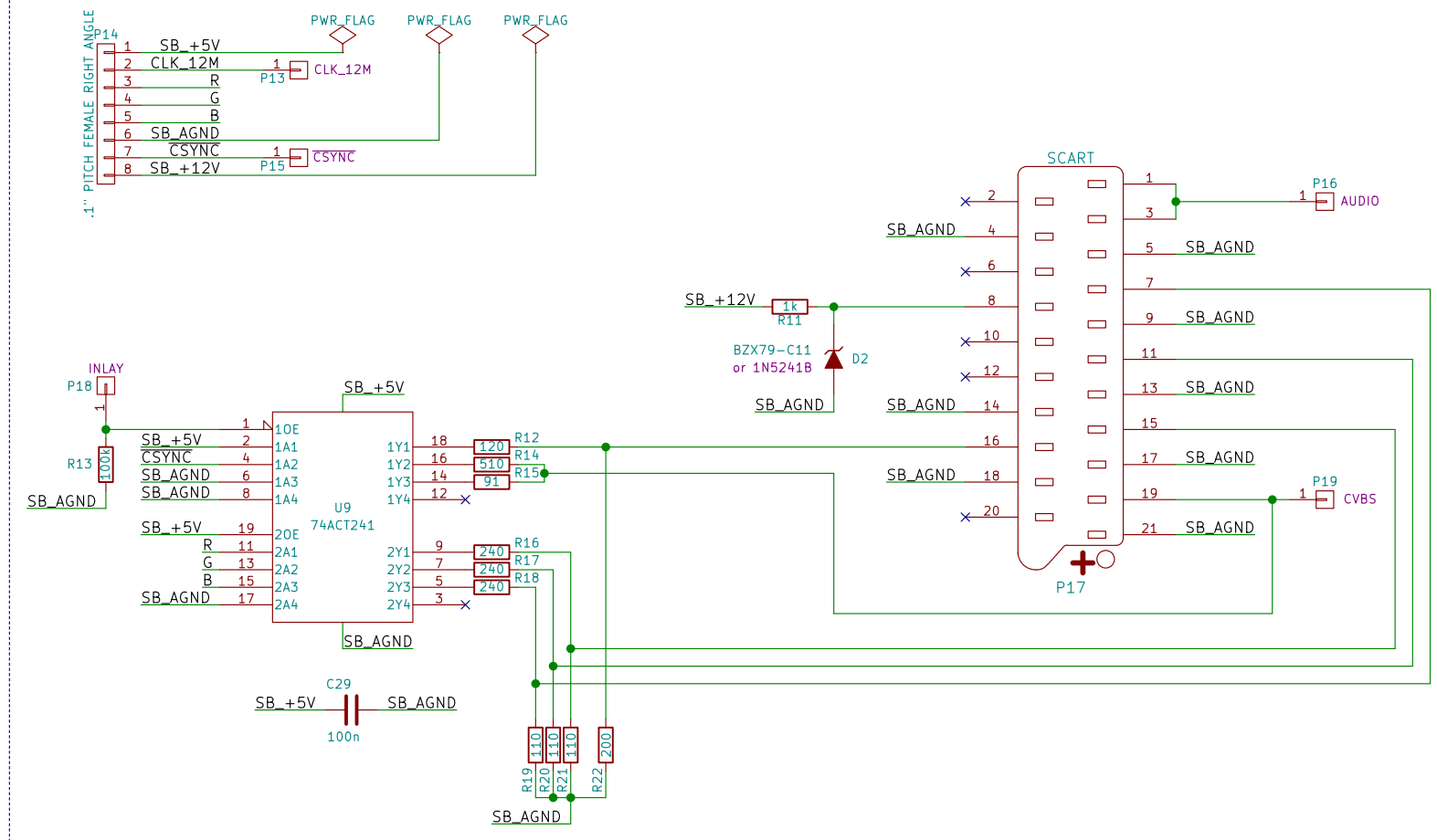
All rights reserved.
<http://vtrm.net> <contact@vtrm.net>

Sheet: /Audio/
 File: Audio.sch

Title: M5

Size: A4	Date:	Rev: 1
KiCad E.D.A. kicad 0.201512080931+635338ubuntu14.04.1-stable		Id: 6/6

SCART_BOARD



All rights reserved.
<http://vtrm.net> <contact@vtrm.net>

Sheet: /SCART/
 File: SCART.sch

Title: M5

Size: A4	Date:	Rev: 1
KiCad E.D.A. kicad 0.201512080931+635338ubuntu14.04.1-stable		Id: 4/6